

Handheld ID readers



In most industries, data must be detected quickly, reliably and flexibly. In this context, the ID handheld systems from di-soric are the first choice – from the lightweight hand-reading system to the extremely robust aluminum reader. The automatic scanners read and decode 1D and 2D codes in any process environment for an accelerated, stable process.







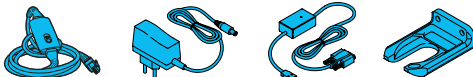
 **di-soric**

ID-10 Compact	143
ID-80 Standard	143
ID-100 Advanced	143
ID-200 Hammer	143



Technical data (typ.)	+20°C, 24 VDC
Image sensor	CMOS
Optics	Fixed optics
For more information, visit	www.di-soric.com

	Warranty	Target setup	ESD-capable	Resolution (pixels)	Service voltage (VDC)	Protection class	Housing material	Connection	RS 232	USB	Product description
ID-10 Compact											
	2-year	■		960 x 640	5.0	IP 54	Plastic	Cable	■	■	ID-10-IM3-2-US
ID-80 Standard											
	5-year	■		1280 x 960	5.0	IP 54	Plastic	Cable	■		ID-80-IM3-2-S
										■	ID-80-IM3-2-U
ID-100 Advanced											
	3-year	■		1280 x 960	5.0	IP 54	Plastic	Cable	■	■ ¹⁾	ID-100-IM3-2-US
ID-200 Hammer											
	3-year	■	■	1280 x 960	5.0	IP 54	Aluminum	Cable	■	■	ID-200-IM3-2-US

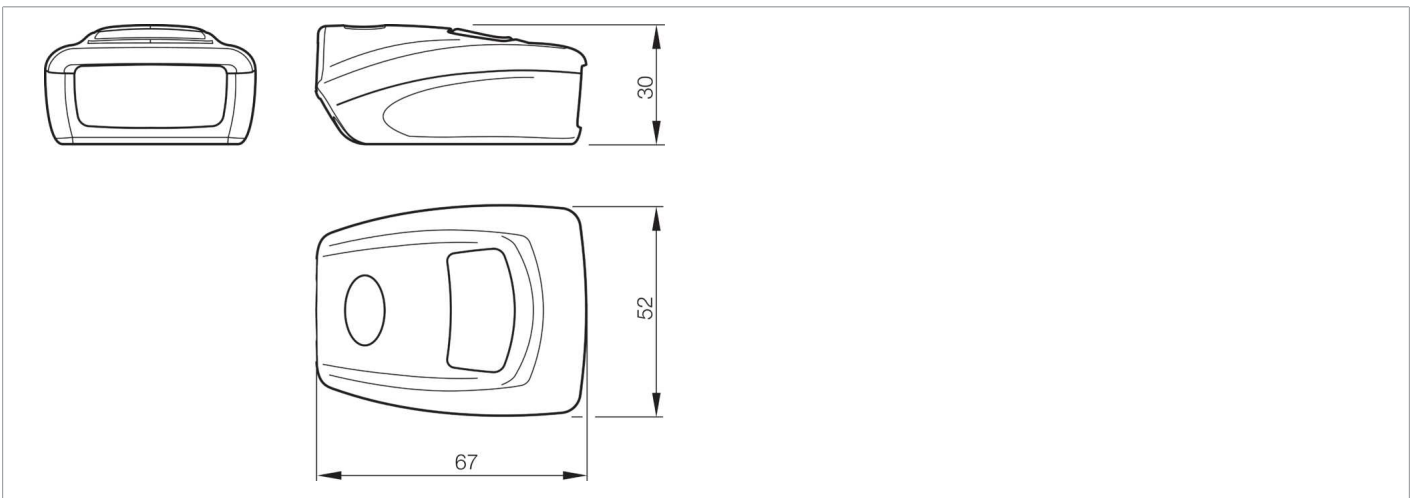
Accessories for handheld ID readers											
								see "Identification system accessories", page 218			

¹⁾With separately available accessories



211080
ID-10-IM3-2-US

- Fast, omnidirectional recognition of 1D, 2D codes and postal barcodes
- Manual or automatic trigger
- Fatigue-free work thanks to its low weight and handy format
- Reading feedback using LED and audible tone
- 2-year warranty



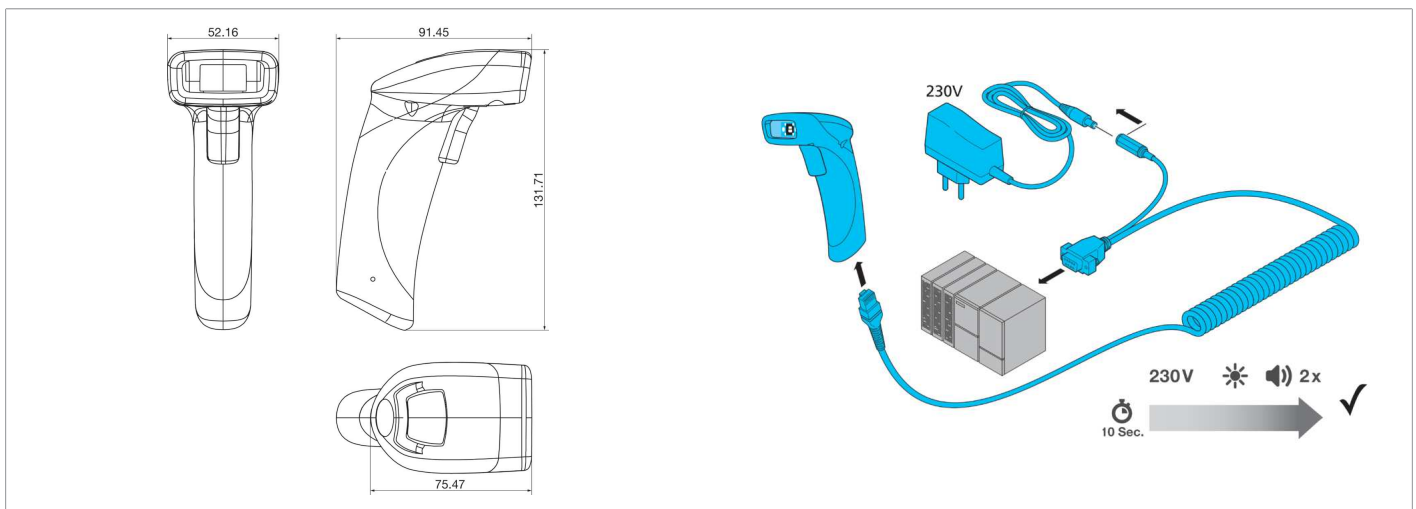
Function													
													

Technical data (typ.)	
Service voltage	5 V DC
Housing dimensions	30 x 67 x 52 mm
Housing material	Plastic
Weight	55 g
Code type - 1D-Codes (barcodes)	Code 11, Code 32, Code 39, Code 93, Code 128, Interleaved 2 of 5, GSI DataBar, BC 412, Codabar, IATA 2 of 5, Hong Kong 2 of 5, Matrix 2 of 5, MSI Plessey, NEC 2 of 5, Pharmacode, Plessey, Straight 2 of 5, Telepen, Trioptic, UPC / EAN / JAN
Code type - 2D-Codes	Data Matrix, Data Matrix Rectangular Extension, QR code, Micro QR Code, QR Model 1, Aztec Code, Han Xin, Maxi Code
Code type - Stacked codes	PDF 417, Micro PDF, GS1 Composite (CC-A/CC-B/CC-C), Codablock F, Code 49, Grid Matrix
Interface	RS 232 (when operated with ID-K-SD / DCJ-RJ50-2), USB (when operated with ID-K-M12 / U-2), USB-A (when operated with ID-K-RJ50 / U-2)
Image sensor	CMOS
Resolution	960 x 640 Pixel
Position scanner to code	Tilt 180°, Pitch ± 65°, Skew ± 60°
Ambient temperature during operation	-20 ... +55 °C
Connection	RJ 50

More information / accessories	https://www.di-soric.com/211080
--------------------------------	---

 **210541**
ID-80-IM3-2-S
ID Handheld reader

- Fast, omnidirectional recognition of 1D, 2D codes and postal barcodes
- Manual or automatic trigger
- Fatigue-free work due to low weight
- Ergonomic design
- Reading feedback using LED and audible tone
- 5-year warranty

**Function****Technical data (typ.)****+20°C, 5 V DC**

Service voltage	5 V DC
No-load current (max.)	300 mA
Housing dimensions	132 x 52 x 91 mm
Housing material	Plastic
Weight	110 g
Code type - 1D-Codes (barcodes)	Code 11, Code 32, Code 39, Code 93, Code 128, Interleaved 2 of 5, GSI DataBar, BC 412, Codabar, IATA 2 of 5, Hong Kong 2 of 5, Matrix 2 of 5, MSI Plessey, NEC 2 of 5, Plessey, Straight 2 of 5, Telepen, Trioptic, UPC / EAN / JAN
Code type - 2D-Codes	Data Matrix, Data Matrix Rectangular Extension, QR code, Micro QR Code, QR Model 1, Aztec Code, GoCode® (protected - additional license required)
Code type - Stacked codes	PDF 417, Micro PDF, GS1 Composite (CC-A/CC-B/CC-C)
Interface	RS232 (In operation with ID-K-SD/DCJ-RJ50-2)
Image sensor	CMOS
Resolution	1.280 x 960 Pixel
Position scanner to code	Tilt 180°, Pitch ± 65°, Skew ± 60°
Ambient temperature during operation	-20 ... +55 °C
Protection type	IP 54
Connection	RS232, Spiral cable

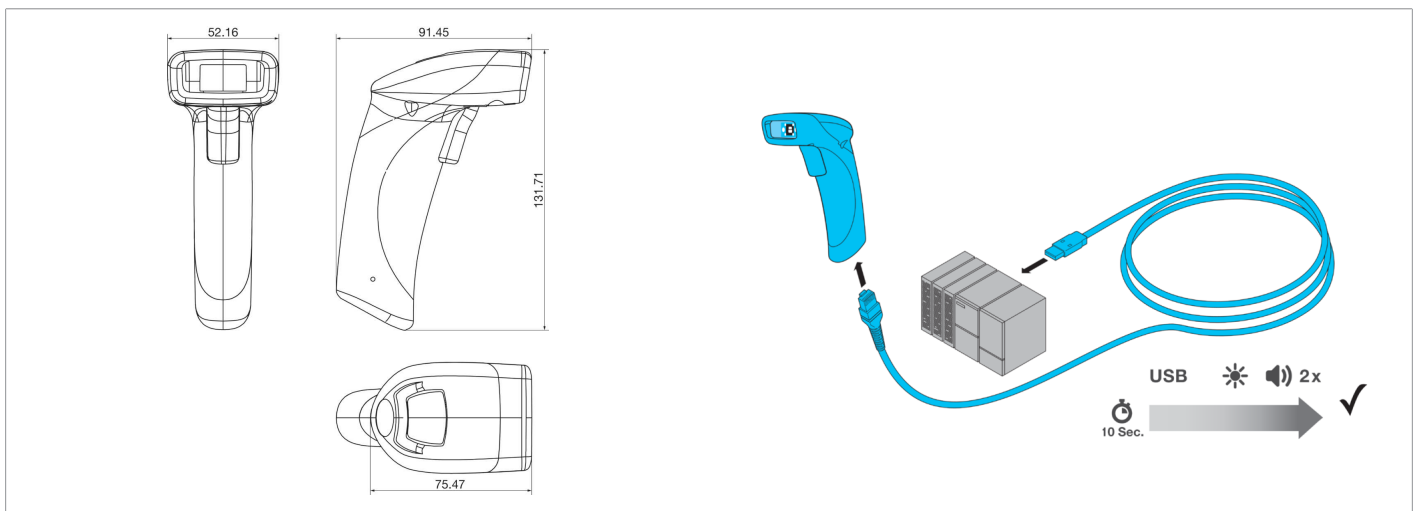
More information / accessories

<https://www.di-soric.com/210541>



210542
ID-80-IM3-2-U
ID Handheld reader

- Fast, omnidirectional recognition of 1D, 2D codes and postal barcodes
- Manual or automatic trigger
- Fatigue-free work due to low weight
- Ergonomic design
- Reading feedback using LED and audible tone
- 5-year warranty



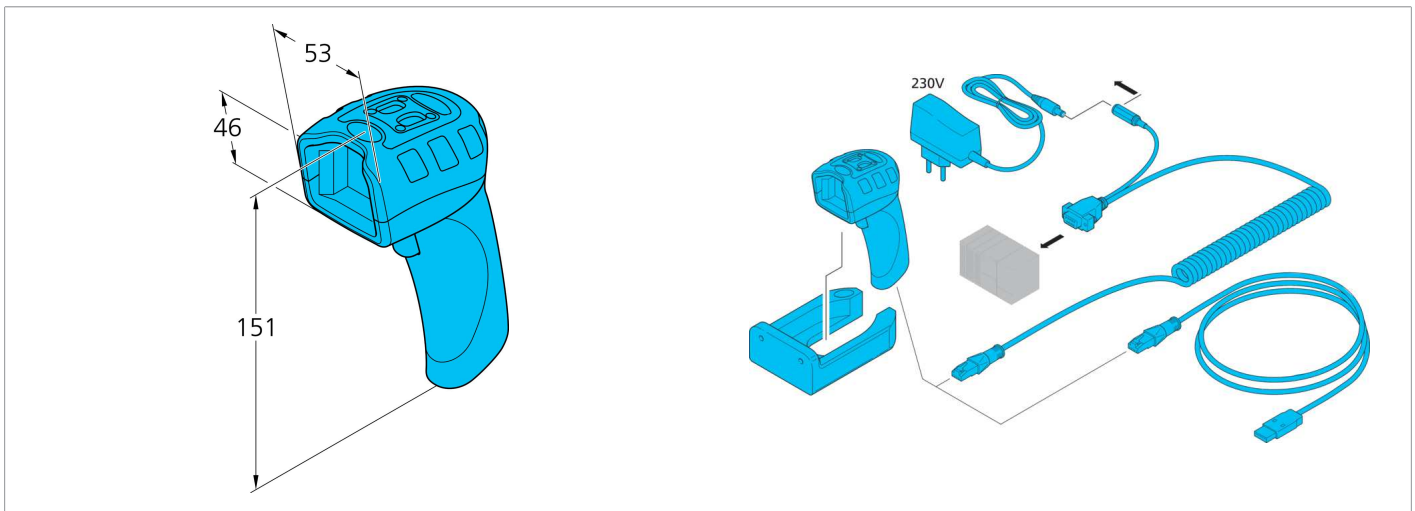
Function													
													

Technical data (typ.)	+20°C, 5 V DC
Service voltage	5 V DC
No-load current (max.)	300 mA
Housing dimensions	132 x 52 x 91 mm
Housing material	Plastic
Weight	110 g
Code type - 1D-Codes (barcodes)	Code 11, Code 32, Code 39, Code 93, Code 128, Interleaved 2 of 5, GSI DataBar, BC 412, Codabar, IATA 2 of 5, Hong Kong 2 of 5, Matrix 2 of 5, MSI Plessey, NEC 2 of 5, Plessey, Straight 2 of 5, Telepen, Trioptic, UPC / EAN / JAN
Code type - 2D-Codes	Data Matrix, Data Matrix Rectangular Extension, QR code, Micro QR Code, QR Model 1, Aztec Code, GoCode® (protected - additional license required)
Code type - Stacked codes	PDF 417, Micro PDF, GS1 Composite (CC-A/CC-B/CC-C)
Interface	USB (Type A operation with ID-K-RJ50/U-2)
Image sensor	CMOS
Resolution	1.280 x 960 Pixel
Position scanner to code	Tilt 180°, Pitch ± 65°, Skew ± 60°
Ambient temperature during operation	-20 ... +55 °C
Protection type	IP 54
Connection	USB, Spiral cable

More information / accessories	https://www.di-soric.com/210542
--------------------------------	---

210543
ID-100-IM3-2-US
ID Handheld reader

- Dual zone optic: fast and reliable decoding despite fluctuating working distances
- Able to read every kind of 1D and 2D codes – coloured and low-contrast as well as damaged ones
- Fatigue-free work due to low weight
- Read feedback by means of LED, audible sound, and vibration



Function											
											CE

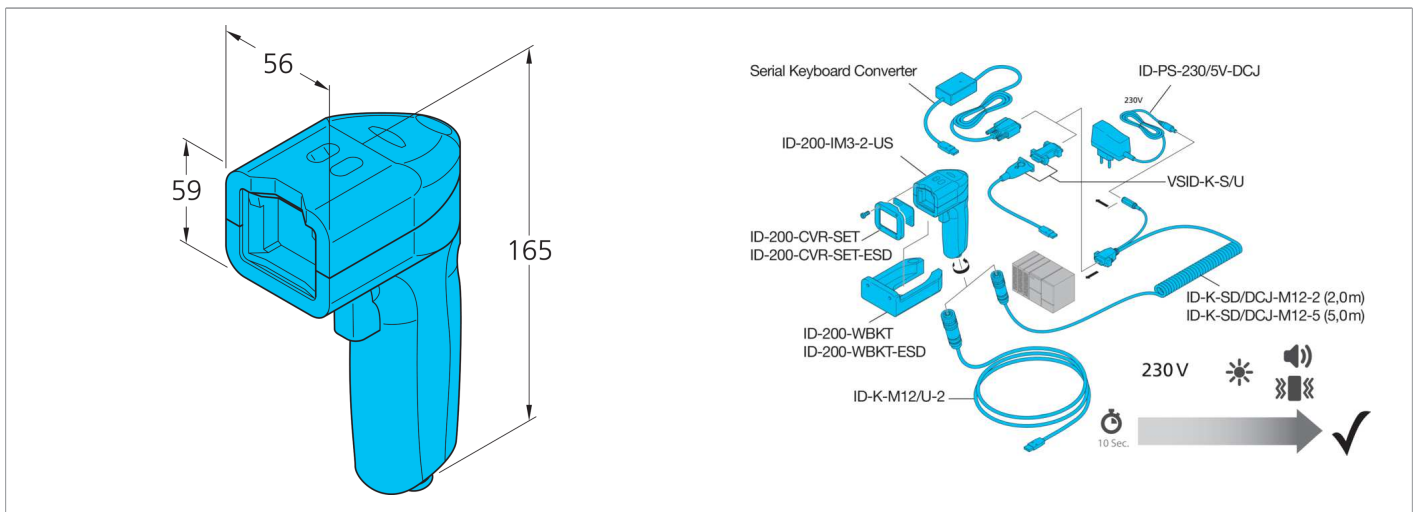
Technical data (typ.)	+20°C, 5 V DC
Service voltage	5 V DC
No-load current (max.)	250 mA
Housing dimensions	151 x 46 x 53 mm
Housing material	Plastic
Weight	130 g
Code type - 1D-Codes (barcodes)	Code 11, Code 32, Code 39, Code 93, Code 128, Interleaved 2 of 5, GS1 DataBar (RSS), BC 412, UPC / EAN, Codabar, Jata 3 of 5, Hong Kong 2 of 5, Matrix 2 of 5, MSI Plessey, NEC 2 of 5, Pharmacode, Plessey, Straight 2 of 5, Telepen, Trioptic, UPC / EAN / JAN
Code type - 2D-Codes	Data Matrix (ECC 0-200), QR code, Micro QR Code, Aztec Code, Code 49, Codablock F, Han Xin, Maxi Code
Code type - Stacked codes	PDF 417, Micro PDF 417, GS1 DataBar (Composite & Stacked), GS1 Composite (CC-A/CC-B/CC-C), Codablock
Interface	<ul style="list-style-type: none"> ■ RS232 (In operation with ID-K-SD/DCJ-M12-X) ■ USB (In operation with ID-K-M12/U-2)
Image sensor	CMOS
Resolution	1.280 x 960 Pixel
Position scanner to code	Tilt 180°, Pitch ± 65°, Skew ± 60°
Ambient temperature during operation	-20 ... +55 °C
Protection type	IP 54
Connection	RJ 45, RJ 50

More information / accessories	https://www.di-soric.com/210543
--------------------------------	---



209864
ID-200-IM3-2-US
ID Handheld reader

- Lightweight aluminum can handle the toughest ambient conditions
- Dual zone optic: fast and reliable decoding despite fluctuating working distances
- Able to read every kind of 1D and 2D codes – coloured and low-contrast as well as damaged ones
- ESD-safe using ESD-compatible accessories
- Ergonomically perfect centre of gravity for fatigue-free working
- Solid, long-life trigger button
- Read feedback by means of programmable LED, audible sound, and vibration
- M12 connection ideal for industrial applications
- Data processing and parsing with JavaScript



Function													

Technical data (typ.)	+20°C, 5 V DC
Service voltage	5 V DC
No-load current (max.)	250 mA
Housing dimensions	165 x 59 x 56 mm
Housing material	Aluminum
Weight	578 g
Characteristics	extremely robust design
Code type - 1D-Codes (barcodes)	Code 11, Code 32, Code 39, Code 93, Code 128, Interleaved 2 of 5, GS1 DataBar (RSS), BC 412, UPC / EAN, Codabar, Jata 3 of 5, Hong Kong 2 of 5, Matrix 2 of 5, MSI Plessey, NEC 2 of 5, Pharmacode, Plessey, Straight 2 of 5, Telepen, Trioptic, UPC / EAN / JAN
Code type - 2D-Codes	Data Matrix (ECC 0-200), QR code, Micro QR Code, Aztec Code, Code 49, Codablock F, Han Xin, Maxi Code
Code type - Stacked codes	PDF 417, Micro PDF 417, GS1 DataBar (Composite & Stacked), GS1 Composite (CC-A/CC-B/CC-C), Codablock
Interface	<ul style="list-style-type: none"> ■ RS232 (In operation with ID-K-SD/DCJ-M12-X) ■ USB (In operation with ID-K-M12/U-2)
Image sensor	CMOS
Resolution	1.280 x 960 Pixel
Position scanner to code	Tilt 180°, Pitch ± 65°, Skew ± 60°
Ambient temperature during operation	-20 ... +55 °C
Protection type	IP 54
Connection	Connector, M12, 12-pin